



Model:

**30570**

Product Type:

**20V 7" BRUSHLESS VARIABLE SPEED  
ROTARY POLISHER W/ 2 BATTERIES****WARNING**

Study, understand and follow all instructions provided with this product. Read these instructions carefully before installing, operating, servicing or repairing this tool. Keep these instructions in a safe accessible place.



**Astro Pneumatic  
Tool Company**

www.astrotools.com

**INTENDED USE OF THE TOOL**

The 30570 7" Cordless Polisher is designed to be used by qualified professionals to detail, wax, polish and buff painted panels using appropriate compounds and speeds so as to not over-heat or damage the paint. Do not use this tool outside of the designed intent. Never modify the tool for any other purpose or use.

**1 YEAR LIMITED WARRANTY**

- Astro Pneumatic Tool Co. warrants our products to the original user against defective material or workmanship for a period of 1 year (except where noted on our price schedule) from the date of 1st use. Astro reserves the right to determine whether the product failed because of defective material, workmanship or other causes and to charge back for missing parts. Astro Pneumatic Tool Co., at its discretion, will repair products covered under this warranty free of charge. The distributor should direct the original user to return the product (with the exceptions listed below) with the distributor's name, address, adequate proof of date of purchase or a copy of warranty card, and a short note explaining the problem. **Failures caused by accident, alteration, or misuse are not covered by this warranty.**
- Astro Pneumatic Tool Co. or its authorized service representatives must perform all warranty repairs. Any repair to the product by unauthorized service representatives voids this warranty. The rights under this warranty are limited to the original user and may not be transferred to subsequent owners.
- This warranty is in lieu of all other warranties, expressed or implied, including warranties of merchantability and fitness for a particular purpose. Some states do not allow the exclusion of limitations of incidental or consequential damages so the above limitations may not apply to you.

**WARNING****Caution: To help prevent personal injury**

- Normal use of this product is likely to expose the user to dust and/or microscopic particles containing chemicals known to the State of California to cause cancer, birth defects or other reproductive harm. Always wear appropriate safety equipment and clothing when using this product. Study, understand and follow all instructions provided with this product. Failure to read and follow all warnings and operating instructions may result in damages and serious injury or death.
- Always wear ANSI approved goggles when using this product. (Users and By standers).
- Never use this tool for any application other than for which it was designed.
- Only use accessories designed for this tool.
- Never alter or modify this tool in any way.
- Improper operation and/or maintenance of the tool, modification of the tool, or use of the tool with accessories not designed for it could result in serious injury or death.
- Always select the correct accessories of the correct size and design for the job that you are attempting to perform.
- Always work in a clean, safe, well-lit, organized and adequately equipped area.
- Do not begin repairs without assurance that vehicle is in secure position, and will not move during repair.



**PLEASE DO NOT RETURN ANY PRODUCT WITHOUT CALLING  
1-800-221-9705 FOR INSTRUCTIONS**

**PRODUCT INFORMATION**

- Brushless 20V motor for efficiency and power with 6 adjustable soft-start speed settings from 400-2,200RPM
- Perfectly balanced at the hand and weighs 1lb less with battery attached than industry leading 7" corded polishers
- Includes two batteries and quick charger for zero downtime
- Bale handle design for vertical or horizontal gripping

Specification:

Motor: Brushless DC-20V

Battery: 4.0Ah (X2)

Run Time: speed 6 (highest speed): around 45 min.  
speed 1 (lowest speed): around 5 hoursNo Load Speed: (soft start) 400, 760, 1,120,  
1,480, 1,840, 2,200 RPM

Weight: 5.86lbs w/ battery, 4.1lbs tool only

Arbor Size: 5/8"-11

Pad Dia.: 180mm (7")

Switch Type: Slide Switch w/ lock

Charge Time: 80 min.

**BEFORE USE**

When unpacking, check the parts diagram and part number listing on page 9 to make sure all parts are included. If any parts are missing or damaged, please call your distributor.

**DO NOT DISCARD – GIVE TO USER**










Model:

**30570**

Product Type:

**20V 7" BRUSHLESS VARIABLE SPEED  
ROTARY POLISHER W/ 2 BATTERIES**

## MEANING OF SYMBOLS

 <p>Read the user manual before using this tool.</p>	 <p>Warning! Danger! Note!</p>
 <p>Whenever the tool is in use, safety goggles must be worn to safeguard against flying object, operator also must wear ear protectors, such as a soundproof helmet, in order to protect the operators hearing. If the operator is working in an area where there is a risk of falling objects, a safety helmet must be worn.</p>	 <p>Do not expose to rain.</p>
	 <p>Wear safety boots to protect against electric shock.</p>
	 <p>Wear gloves to protect your hands.</p>
 <p>Do not dispose electric tools, batteries/rechargeable batteries together with household waste material. Electric tools and batteries that have reached the end of their life must be collected separately and returned to an environmentally compatible recycling facility.   Check with your local authority or retailer for recycling advice and collection point.</p>	

## GENERAL POWER TOOL SAFETY WARNINGS

### WORK AREA SAFETY

- Keep work area clean and well lit. Cluttered and dark areas invite accidents.
- Do not operate power tools in explosive atmospheres, such as in the presence of flammable liquids, gases or dust. Power tools create sparks which may ignite the dust or fumes.
- Keep children and bystanders away while operating a power tool. Distractions can cause you to lose control.

### ELECTRICAL SAFETY

Do not expose power tools to rain or wet conditions. Water entering a power tool will increase the risk of electric shock.

### PERSONAL SAFETY

- Stay alert. Watch what you are doing and use common sense when operating a power tool. Do not use a power tool while you are tired or under the influence of drugs, alcohol or medication. A moment of inattention while operating power tools may result in serious personal injury.
- Use personal protective equipment. Always wear eye protection. Protective equipment such as dust mask, non-skid safety shoes, hard hat, or hearing protection used for appropriate conditions will reduce personal injuries.

- Prevent unintentional starting, ensure the switch is in the off-position before connecting to battery pack, picking up or carrying the tool.
- Remove any adjusting key or wrench before turning on the power tool. A wrench or parts left attached to a rotating part of the power tool may result in personal injury.
- Do not overreach. Keep proper footing and balance at all times. This enables better control of the power tool in unexpected situations.

### POWER TOOL USE AND CARE

- Do not force the power tool. Use the correct power tool for your application. The correct power tool will do the job better and safer at the rate for which it was designed.
- Do not use the power tool if the switch does not turn it on and off. Any power tool that cannot be controlled with the switch is dangerous and must be repaired.
- Store idle power tools out of the reach of children and do not allow persons unfamiliar with the power tool or these instructions to operate the power tool. Power tools are dangerous in the hands of untrained users.
- Maintain power tools. Check for misalignment or binding of moving parts, breakage of parts and any other condition that may affect the power tool's operation. If damaged, have the power tool repaired before use. Many accidents are caused by poorly maintained power tools.



Model:

# 30570

Product Type:

**20V 7" BRUSHLESS VARIABLE SPEED  
ROTARY POLISHER W/ 2 BATTERIES**

- e) Use the power tool and accessories in accordance with these instructions, taking into account the working conditions and the work to be performed. Use of the power tool for operations different from those intended could result in a hazardous situation.

### **SERVICE**

Have your power tool serviced by a qualified repair person using only identical replacement parts. This will ensure that the safety of the power tool is maintained.

## **IMPORTANT SAFETY INSTRUCTIONS**

### **FOR BATTERY PACK**

- a) Before using the battery pack, read all instructions and cautionary markings on battery pack, charger and product using battery pack.
- b) If operating time has become excessively shorter, stop operating immediately. It may result in a risk of overheating and possible burns.
- c) Do not short the battery pack:
- 1) Do not touch the terminals with any conductive material.
  - 2) Do not expose the battery pack to water or rain. A short circuit of the battery can cause a large current flow, overheating, possible burns and even a breakdown.
- d) Do not store the tool and battery pack in locations where the temperature may exceed 140°F (60°C).
- e) Do not incinerate the battery pack even if it is severely damaged or is completely worn out. The battery pack can explode in a fire.
- f) Be careful not to drop or strike the battery.
- g) Do not use a damaged battery.

### **FOR CHARGER**

- a) Before charging, study the instruction manual carefully.
- b) Before charging the battery, connect the power cord into the power supply first and then connect the battery pack with the charger. Once the battery is fully charged, disconnect the power supply after removing the battery pack from the charger.
- c) This device is for indoor use only. Water, rain or moisture should be strictly prohibited.

- d) Correct use: chargers are to be used exclusively for charging 20V 7" brushless variable speed rotary polisher rechargeable battery packs. Any other application may result in risk of fire, electric shock or electrocution.

The user bears sole responsibility for any damage caused by inappropriate use. The generally recognized accident prevention regulations and the safety instructions which accompany them must be adhered to.

- e) The charger is specifically designed to charge the ASTRO 30570 battery packs. Do not attempt to charge any other battery with this charger.



**Warning: Danger of explosion if the battery is incorrectly replaced. Replace the battery only with the same designed battery type.**

- f) Do not expose the charger to rain or snow and other extreme climate conditions. Do not use power tools in damp or wet locations.
- g) The use of any attachment not recommended or supplied by the battery charger manufacture may result in a risk of fire, electric shock, or injury to persons.
- h) To reduce risk of damage to electric plug and cord, pull by plug rather than cord when disconnecting charger.
- i) Make sure cord is appropriately located so that it will not be stepped on, tripped over, or otherwise subject to damage or stress.
- j) Do not operate charger with damaged cord or plug. Please replace them immediately if any damage is found.
- k) Do not operate charger if it has received a sharp blow, been dropped, or otherwise damaged in any way; take it to an authorized Service Center.
- l) Do not disassemble charger; take it to an authorized Service Center when service or repair is required. Incorrect reassembly may result in a risk of electric shock or fire.
- m) To reduce risk of electric shock, unplug charger from outlet before attempting any maintenance or cleaning.
- n) Charging must only be performed when the battery pack temperature is between 32°F (0°C) and 113°F (45°C).
- o) The charger vents shall be strictly prohibited to be covered or clogged by any foreign object.
- p) The charger is designed to operate on standard household electrical power. Do not attempt to use it on any other voltage.



Model: **30570**

Product Type:  
**20V 7" BRUSHLESS VARIABLE SPEED  
ROTARY POLISHER W/ 2 BATTERIES**

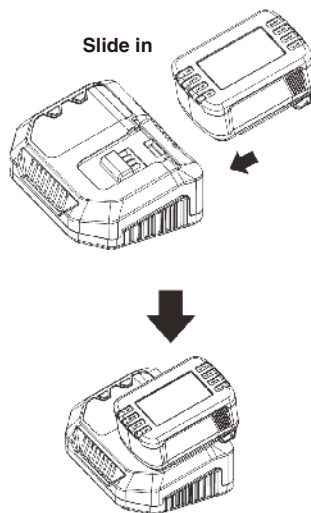
**⚠ Warning: The parts inside the charger are live and can create a shock hazard! Do not stick anything in the battery charger terminal slots.**

- q) Unplug the charger immediately if there is any sign of smoke or flame.
- r) Do not drill into the housing of the charger or battery pack.
- s) Keep the charger away from children.

**⚠ Warning: The battery will not reach full charge after the first charge. Please allow a few charge cycles until constant Red and blinking Green Lights status to ensure the battery is charged to its fullest capacity.**

### CHARGER LED INDICATION

LED LIGHT DISPLAY STATUS	SYMBOL	CHARGING STATUS
	 Blinking green light Constant red light	Fully Charged
	 Constant green light Constant red light	Charging
	 Blinking red light	Battery Over Heated
	 Green light and red light are blinking	Battery Damaged



### **SAFETY PRECAUTION WHEN USING CHARGER AND BATTERY**

- a) Do not charge the battery when temperature is below 32°F (0°C) or above 113°F (45°C). The most suitable temperature for charging is that of 68-77°F (20-25°C).
- b) Do not insert objects into the hole reserved for the battery in charger stand.
- c) Never short-circuit the battery. Short circuiting the battery will severely damage the battery and cause dangers of fire and explosion.
- d) This appliance is not intended for use by persons, including children, with reduced physical, sensory or mental capabilities, or lack of experience and knowledge, unless they have been given supervision or instruction concerning use of the appliance by a person responsible of their safety.

- e) Children should be supervised to ensure that they do not play with the appliance.
- f) Do not dispose of electrical appliances as unsorted municipal waste, use separate collection facilities.
- g) If electrical appliances are disposed of in landfills or dumps, hazardous substances can leak into the soil, damaging your health and well-being.
- h) When replacing old appliances with new ones under warranty, the retailer is legally obligated to take back your old appliance for disposal at least for free of charge.
- i) If the supply cord is damaged, it must be replaced by the manufacturer, its service agent or similarly qualified persons in order to avoid a hazard.



Model:

# 30570

Product Type:

**20V 7" BRUSHLESS VARIABLE SPEED  
ROTARY POLISHER W/ 2 BATTERIES**

**⚠ Warning: If any parts are missing, do not operate tool until the missing parts are replaced. Failure to do so could result in possible serious personal injury.**

**The charging time may vary according to the surrounding temperature and the power source voltage.**

#### **DISPOSAL OF THE EXHAUSTED BATTERY**

For safety and to preserve natural resources, please recycle or dispose of properly.

This product contains Lithium-ion batteries.

Must be disposed of properly.

Local, state, or federal laws may prohibit disposal of Lithium-ion batteries in ordinary trash. Consult your local waste authority for information regarding available recycling and/or disposal options.

#### **PREPARATION FOR RECYCLING OF BATTERY PACK**

**⚠ Warning: Do not attempt to destroy or disassemble the battery pack or remove any of its components. Do not touch terminals with metal objects as short-circuit may result. Keep away from children. Failure to comply with these warnings could result in fire and/or serious injury.**

#### **TIPS FOR MAINTAINING MAXIMUM BATTERY LIFE**

- Charge the battery pack before completely discharged. Always stop tool operation and charge the battery pack when you notice a decrease in tool power.
- Never over discharge a fully charged battery pack. Over discharging shortens the battery service life.
- Charge the battery pack under room temperature between 32-113°F (0-45°C). Let a hot battery pack cool down before charging it.
- Charge the battery pack once every 3 months if you do not use it for a long period of time. Li-ion batteries are known to discharge over time. Battery may be damaged if it is over discharged.

#### **INSTALLING OR REMOVING BATTERY PACK**

- Hold the tool and the battery pack firmly when installing or removing battery pack. Failure to hold the tool and the battery pack firmly may cause them to slip off your hands and result in damage to the tools and battery pack and a personal injury.
- Always switch off the tool before installing or removal of the battery pack.
- To remove battery pack, press the release button, and pull out.
- To install the battery pack with the charger, align the terminal pin on the charger and slide the battery into the charger.

**⚠ Warning: Do not use force when installing the battery pack. If the battery pack does not slide in easily, it is not being inserted correctly.**

**Verify that the switch is in OFF position before inserting or removing the battery pack.**

#### **SAFETY WARNINGS COMMON FOR POLISHER OPERATING**

- This power tool is intended to function as a polisher. Read all safety warnings, instructions and specifications provided with this tool.** Failure to follow all instructions listed below may result in injury.
- Operations such as grinding, sanding, wire brushing or cutting-off are not recommended to be performed with this power tool.** Operations for which the power tool was not designed may create a hazard and cause personal injury.
- Do not use accessories which are not specifically designed and recommended by the tool manufacturer.** Just because the accessory can be attached to your power tool, it does not assure safe operation.
- The rated speed of the accessory must be at least equal to the maximum speed marked on the power tool.** Accessories running faster than their rated speed can break and fly apart.
- The outside diameter of your accessory must be within the capacity rating of your power tool.** Incorrectly sized accessories can not be adequately guarded or controlled.




Model:

# 30570

Product Type:

**20V 7" BRUSHLESS VARIABLE SPEED  
ROTARY POLISHER W/ 2 BATTERIES**

- f) **Threaded mounting of accessories must match the polisher spindle thread. For accessories mounted by flanges, the arbor hole of the accessory must fit the locating diameter of the flange.** Accessories that do not match the mounting hardware of the power tool will run out of balance, vibrate excessively and may cause loss of control.
- g) **Do not use a damaged accessory. Before each use, inspect the accessory such as abrasive wheels for chips and cracks. If power tool or accessory is dropped, inspect for damage or install an undamaged accessory. After inspecting and installing an accessory, position yourself and bystanders away from the plane of the rotating accessory and run the power tool at maximum no-load speed for one minute.** Damaged accessories will normally break apart during this test time.

 **Warning: If battery pack case is cracked or damaged, do not insert into charger. Danger of electric shock, electrocution and leakage.**

- h) **Wear personal protective equipment. Depending on application use face shield, safety goggles or safety glasses. As appropriate, wear dust mask, hearing protectors, gloves and workshop apron capable of stopping small abrasive or workpiece fragments.** The eye protection must be capable of stopping flying debris generated by various operations. The dust mask or respirator must be capable of filtering particles generated by your operation. Prolonged exposure to high intensity noise may cause hearing loss.
- i) **Keep bystanders a safe distance away from work area. Anyone entering the work area must wear personal protective equipment.** Fragments of workpiece or of a broken accessory may fly away and cause injury beyond immediate area of operation.
- j) **Hold power tool by insulated gripping surfaces only, when performing an operation where the polishing accessory may contact hidden wiring or its own cord.** Polishing accessory contacting a "live" wire may make exposed metal parts of the power tool "live and shock the operator.
- k) **Never lay the power tool down until the accessory has come to a complete stop.** The spinning accessory may grab the surface and pull the power tool out of your control.

- l) **Do not run the power tool while carrying it at your side.** Accidental contact with the spinning accessory could snag your clothing, pulling the accessory into your body.
- m) **Regularly clean the power tool's air vents.** The motor's fan will draw the dust inside the housing and excessive accumulation of powdered metal may cause electrical hazards.
- n) **Do not operate the power tool near flammable materials.** Sparks could ignite these materials.

#### **KICKBACK AND RELATED WARNINGS**

Kickback is a sudden reaction to a pinched or snapping rotating wheel, backing pad, brush or any other accessory.

Pinching or snapping causes rapid stalling of the rotating accessory which in turn causes the uncontrolled power tool to be forced in the direction opposite of the accessory's rotation at the point of the binding.

For example, if an abrasive wheel is snapping or pinched by the workpiece, the edge of the wheel that is entering into the pinch point can dig into the surface of the material causing the wheel to climb out or kick out. The wheel may either jump toward or away from the operator, depending on direction of the wheel's movement at the point of pinching. Abrasive wheels may also break under these conditions.

Kickback is the result of power tool misuse and/or incorrect operating procedures or conditions and can be avoided by taking proper precautions as given below.

- a) **Maintain a firm grip on the power tool and position your body and arm to allow you to resist kickback forces. Always use auxiliary handle, if provided, for maximum control over kickback or torque reaction during start-up.** The operator can control torque reactions or kickback forces, if proper precautions are taken.
- b) **Never place your hand near the rotating accessory.** Accessory may kickback over your hand.
- c) **Do not position your body in the area where power tool will move if kickback occurs.** Kickback will propel the tool in direction opposite to the wheel's movement at the point of snapping.



Model:

# 30570

Product Type:

**20V 7" BRUSHLESS VARIABLE SPEED  
ROTARY POLISHER W/ 2 BATTERIES**

- d) **Use special care when working corners, sharp edges etc. Avoid bouncing and snagging the accessory.** Corners, sharp edges or bouncing have a tendency to snag the rotating accessory and cause loss of control or kickback.
- e) **Do not attach a saw chain woodcarving blade or toothed saw blade.** Such blades create frequent kickback and loss of control.

### **SAFETY WARNINGS SPECIFIC FOR POLISHER OPERATIONS**

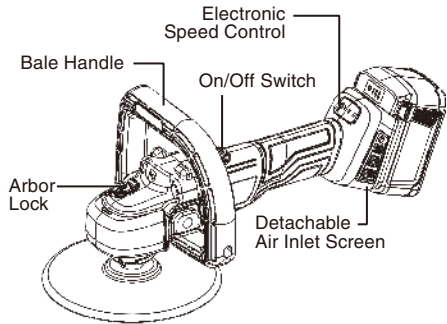
Do not allow any loose portion of the polishing bonnet or its attachment strings to spin freely. Tuck away or trim any loose attachment strings. Loose and spinning attachment strings can entangle your fingers or snag on the workpiece.

**⚠ Warning:** Some dust created by power sanding, sawing, grinding, drilling, and other construction activities contains chemicals known to cause cancer, birth defects or other reproductive harm. Some examples of these chemicals are:

- a) lead from lead-based paint
- b) crystalline silica from bricks and cement and other masonry products, and
- c) arsenic and chromium from chemically-treated lumber.

Your risk from these exposures varies, depending on how often you do this type of work. To reduce your exposure to these chemicals: work in a well ventilated area, and work with approved safety equipment, such as those dust masks that are specially designed to filter out microscopic particles.

### **INSTRUCTION**



**⚠ Warning:** Recharge only with the charger specified for the battery. For specific charging instructions, read the operator's manual supplied with your charger and battery.

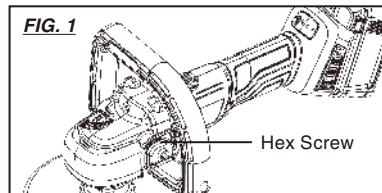
Removing/Inserting the battery to remove the battery, push in the release buttons and pull the battery pack away from the tool.

Always remove battery pack before changing or removing accessories. To insert the battery, slide the pack into the body of the tool. Make sure it latches securely into place.

To reduce the risk of injury, always use a side handle when using this tool. Hold securely.

### **INSTALLING THE HANDLE (FIG. 1)**

- a) Position the handle in the position (left or right orientation) that offers best control.
- b) Slide the handle around the front of the tool and up onto the body of the tool.
- c) Fit the handle into both handle sockets.
- d) Select one of the three angle positions that offers best control, forward or back.
- e) Insert the hex screws into each side of the handle and tighten securely with the hex wrench provided.





Model:

# 30570

Product Type:

## 20V 7" BRUSHLESS VARIABLE SPEED ROTARY POLISHER W/ 2 BATTERIES

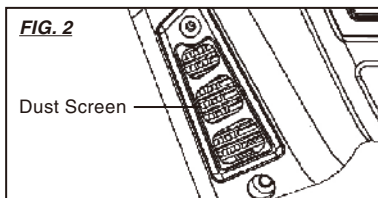
### **INSTALLING/REMOVING/CLEANING THE DUST SCREEN (FIG. 2)**

Using the dust screen will increase the performance and extend the life of the tool.

**⚠ Warning: Do not use tool without dust screen installed.**

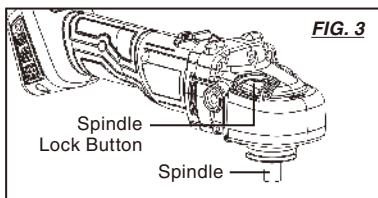
- To attach the dust screen, snap the screen over the tool's handle.
- To remove the dust screen, insert a flat screwdriver into the notch at the top of the dust screen and pry away from the tool.
- To clean the dust screen, tap against a hard surface, or blow clean with compressed air.

**⚠ Warning: Before any work on the machine itself, turn off the tool.**

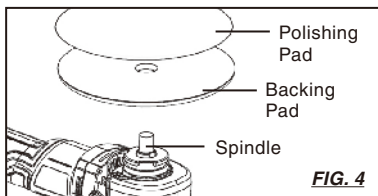


### **INSTALLING POLISHING PADS/BONNETS**

- To install, place the tool on its tool rest with the spindle upright.
- Press and hold the spindle lock button (Fig. 3).



- Thread the backing pad onto the spindle (Fig. 4). Hand tighten securely.



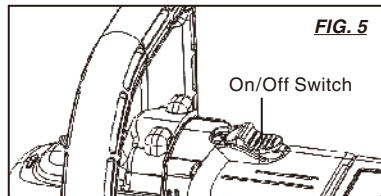
- Press the polishing pad/bonnet securely onto the backing pad. Use a centering tool, if provided, to ensure the pad is aligned for proper balance.
- To remove, remove the battery pack and reverse the procedure.

### **OPERATION**

**⚠ Warning: To reduce the risk of injury, always wear safety goggles or glasses with side shields.**

### **SWITCHING ON AND OFF (FIG. 5)**

- To start the machine, press the On/Off Switch and keep it pressed.
- To lock-on the pressed On/Off Switch, push the On/Off Switch further forward.
- To switch off the power tool, release the On/Off Switch, or when it is locked, briefly press the On/Off Switch and then release it.
- To save energy, only switch the power tool on when using it.



### **POLISHING**

Always use handle for proper control. Move the polisher back and forth in long, sweeping strokes. Too much pressure, the wrong angle or improper motion may cause swirl marks or burning. For detailed polishing instructions, read the instructions provided with the finishes, waxes and polishes.

### **PREVENTING BURNING THROUGH PAINT**

It is easy to burn through the paint on a surface. This can occur if you polish at too high of a speed or if you allow the polishing pad to stay in one spot for even a short period of time. To prevent burning through paint, use very light pressure and keep the polisher moving constantly, especially when working near edges or where there are abrupt changes in the contour of the work surface. Be particularly careful when using higher RPM's which are more likely to burn through paint.





Model:

# 30570

Product Type:

## 20V 7" BRUSHLESS VARIABLE SPEED ROTARY POLISHER W/ 2 BATTERIES

**⚠ Warning:** To reduce the risk of injury, follow instructions for preventing snagging. Snagging may cause the tool to kick back and the operator to suddenly lose control of the tool. Always use side handle to maintain control.

### PREVENTING SNAGGING

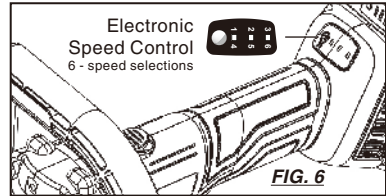
Snagging occurs when polishing pads get caught on rough edges of a work surface. Snagging can cause the tool to suddenly "kick back" and it may cause the pad to burn through the paint. To reduce the risk of snagging, use the polisher at low speeds when polishing rough surfaces. For tricky areas such as near trim or between a mirror and window on a car, do not take chances with a polisher. Polish these surfaces by hand.

### PRESELECTING SPEED (FIG. 6)

**⚠ Warning:** Operate with a belt speed adapted to the application in order to prevent damage to the material.

- a) This tool is equipped with 6 belt speed controls which can be found in the button of the tool.
- b) The required belt speed depends on the material being polished and on the working conditions, and can be determined by practical testing.

- c) When using a fleece belt, do not work with a higher setting than speed stage 6 (max.). Otherwise, the fleece belt will become too hot.



### MAINTENANCE

**⚠ Warning:** When service is required, only use the same or equivalent parts from Astro. Using parts from different brands might cause danger or tool damage.

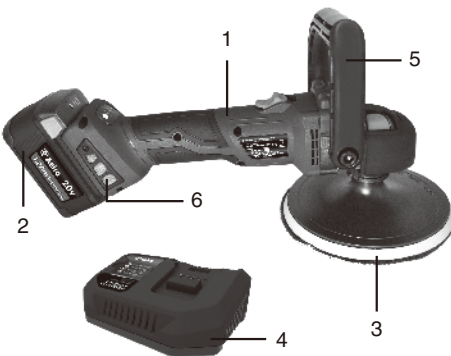
When replacing parts, remove the battery from the tool to avoid accidental start-up.

After use, check tool to keep it in top condition,

- a) Clean out accumulated dust.
- b) The ventilation slots of the tool must be kept clear at all times. Use only Astro 30570 accessories and spare parts.
- c) Do not make any adjustment while the motor is in motion.
- d) Refer to the label for production date.

**⚠ Warning:** To avoid possible serious injury always remove the battery before changing any parts.

## PARTS BREAKDOWN



Call 1.800.221.9705 for questions concerning performance of the product or other inquiries.

### Parts List

Index	Part No.	Description	Qty
1	30570-01	Polisher	1
2	30570-02	Battery	2
3	30570-03	7" Pad	1
4	30570-04	Charger	1
5	30570-05	Bale Handle	1
6	30570-06	Dust Screen	2